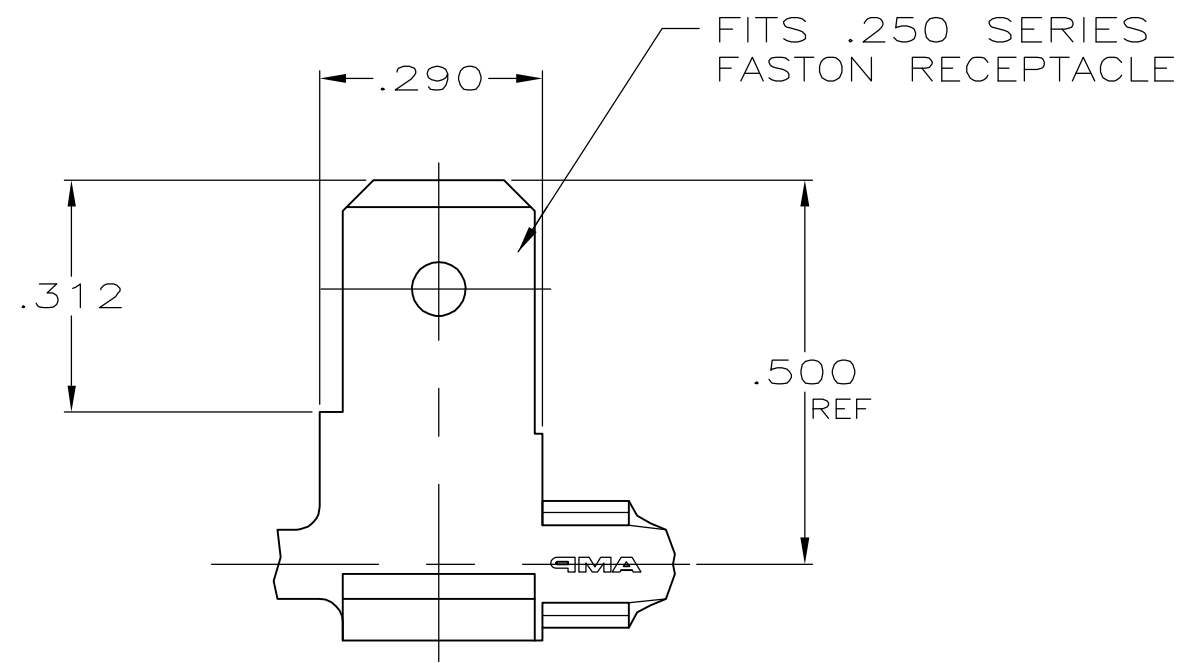
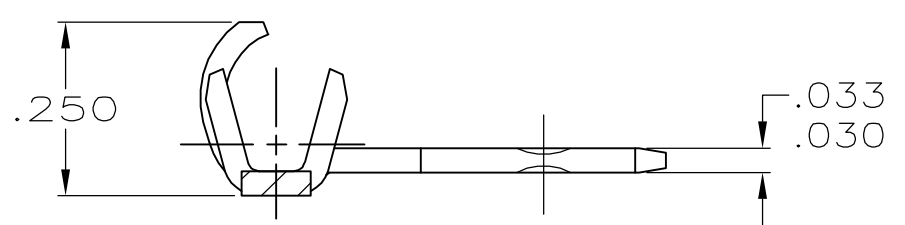
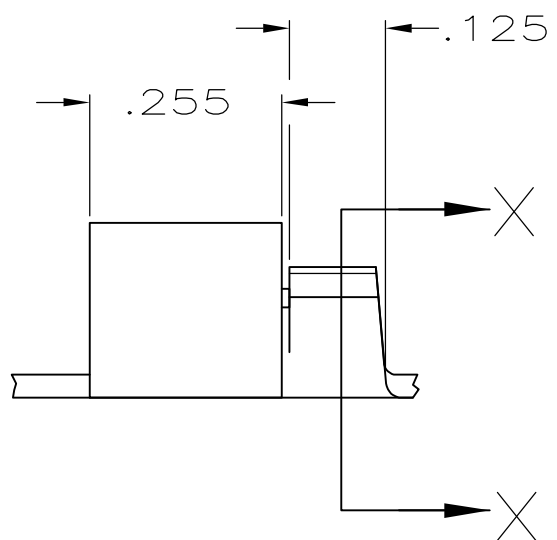
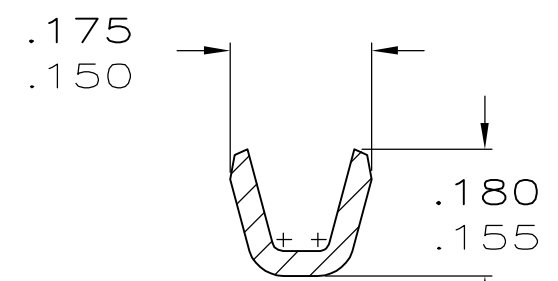


THIS DRAWING IS UNPUBLISHED. RELEASED FOR PUBLICATION
 © COPYRIGHT BY TYCO ELECTRONICS CORPORATION. ALL RIGHTS RESERVED.

LOC	DIST	REVISIONS			
P	LTR	DESCRIPTION	DATE	DWN	APVD
AF	50	J	REVISED PER ECR 05-010597	20MAR06	JR KR



- 1 CONTINUOUS STRIP ON REELS
- 2 REVERSE REEL OF 42770-2.
- 3 PRELIMINARY - NOT FOR PRODUCTION.



OBSOLETE	.080-.125 DIA	#18-#14 AWG	.000080 MIN TIN PLATE	2	42770-3
	.080-.125 DIA	#18-#14 AWG	.000080 MIN TIN PLATE		42770-2
	.080-.125 DIA	#18-#14 AWG	-	3	42770-1
	INSULATION RANGE	WIRE RANGE	FINISH		PART NUMBER

THIS DRAWING IS A CONTROLLED DOCUMENT.		DWN M.S. FEHER 18MAR2005	Tyco Electronics Corporation Harrisburg, Pa 17105-3608		
DIMENSIONS: INCHES		CHK K.A. RANDOLPH 18MAR2005			
TOLERANCES UNLESS OTHERWISE SPECIFIED:		APVD K.A. RANDOLPH 18MAR2005	PRODUCT SPEC		
0 PLC ± - 1 PLC ± - 2 PLC ± - 3 PLC ± .015 4 PLC ± - ANGLES ± -		APPLICATION SPEC		RESTRICTED TO	
MATERIAL #2H BRASS		FINISH SEE TABLE		WEIGHT -	SIZE A3
CUSTOMER DRAWING			CAGE CODE 00779	DRAWING NO C-42770	SCALE 4:1
			SHEET 1 OF 1		REV J